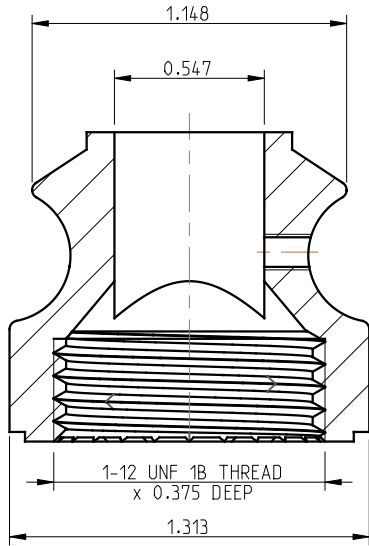
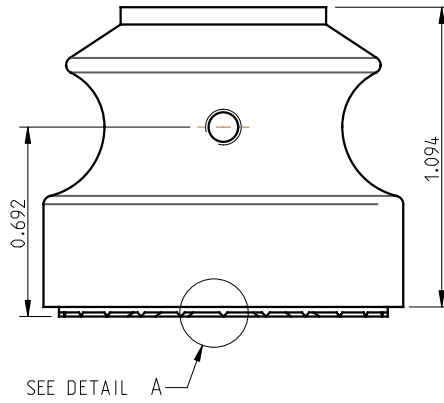


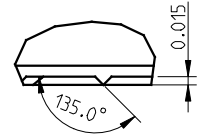
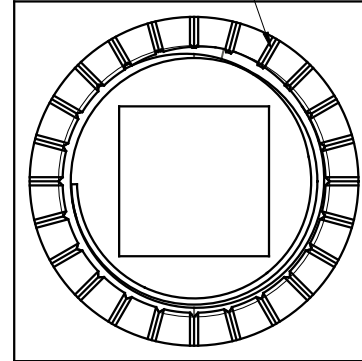
ALL DIMENSIONS IN INCHES



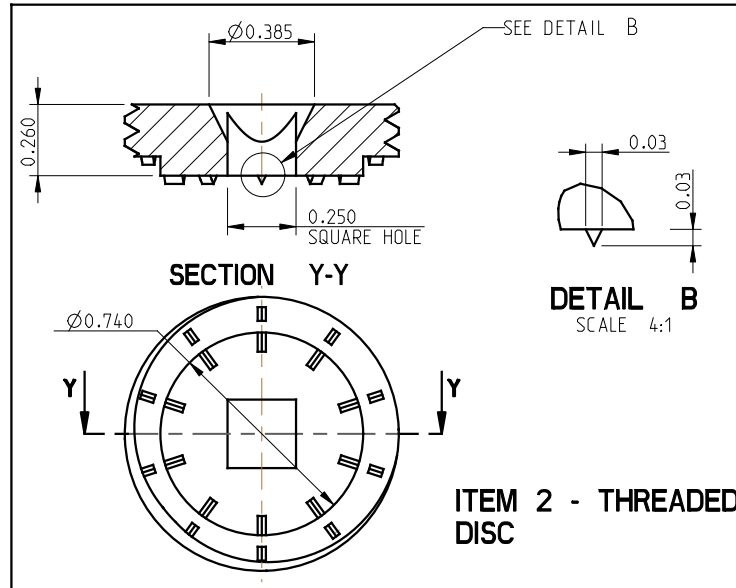
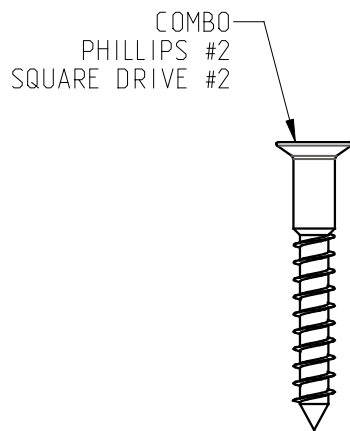
**ITEM 1 - THREADED BASE COLLAR**



DETAIL A APPLIES  
24 PLACES



**DETAIL A**  
SCALE 4:1  
TYP. 48 PLACES



**ITEM 2 - THREADED DISC**

**L.J. Smith**  
*Stair Systems*  
35280 Scio-Bowerston Road  
Bowerston, OH 44695-9731  
Phone (740) 289-4111 FAX (740) 289-9047  
This drawing is the property of L.J. Smith Co. Do not use or copy without permission from L.J. Smith.

Drawing Name LI-PROCOL		
Date	Scale DO NOT SCALE	Drawn By
File Name DESTROY PREVIOUS PRINTS SALES		